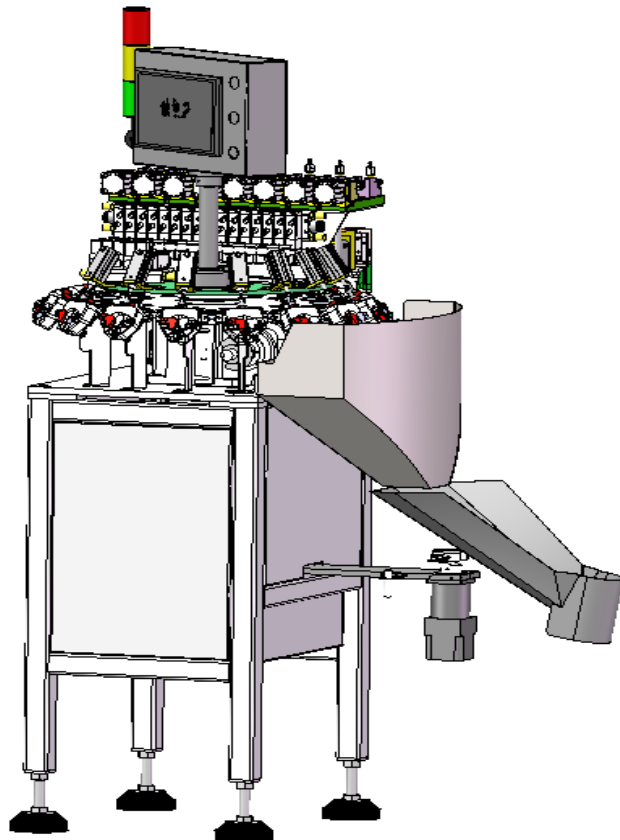




# Day Old Chick Turntable Vaccination Machine

## Function



Day old chick Vaccination Machine is designed for vaccination for all day-old chicks. The operator gently places the heads of 2 chicks on the stabilizer at a time. The machine rotates to the proper position for vaccination. After vaccination, the chicks will be rotated to the proper position and dropped into the chick box below. This equipment is well adapted to the modern automated hatchery processing system.



## Specifications

- Performance: 3200 - 4800 chicks/hour, Turntable cycle: 0 - 3 seconds (according to the operator's cadence).
- Able to inject 2 different vaccines with the same needle.
- Vaccine dosage adjustment: 0.1 - 0.3 ML.
- Machine dimension: 980mm\*640mm\*1500mm.
- Option: carousel & beak trimming



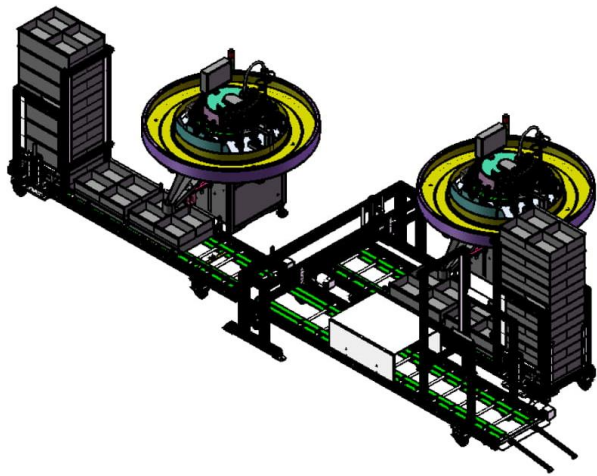
## Other information

- Vaccinated chicks count
- Daily chicks count
- Box chicks count
- Single/Double Vaccine Switching
- 3 colors indicator light
- The machine operates on 220V/0.45-0.5 Mpa.





The machines can be connected by a conveyor and make the **work** more pleasant & efficient



[www.hsi365.com](http://www.hsi365.com)  
[contact@hsi365.com](mailto:contact@hsi365.com)